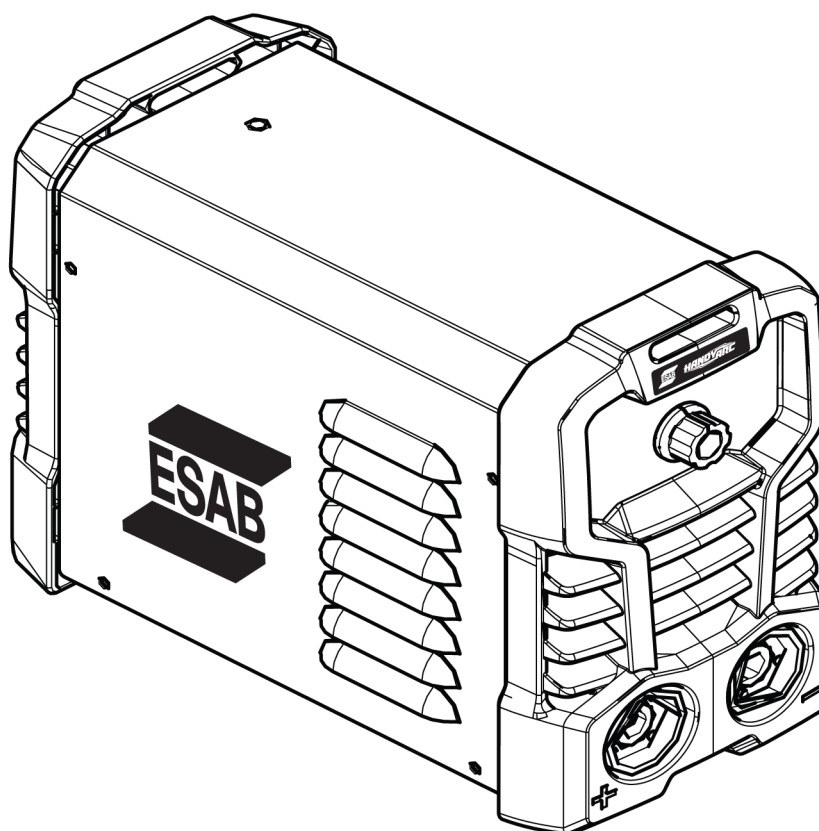


HandyArc 1/8



Spare parts list

Ordering no.	Denomination	Notes
0700 734 012	HandyArc 1/8	Welding power source
0448 692 001	Instruction manual	

Spare parts may be ordered through your nearest ESAB dealer, see esab.com. When ordering, please state product type, serial number, denominations and ordering numbers according to the spare parts list. This facilitates dispatch and ensures correct delivery.

Maintenance and repair work should be performed by an experienced person, and electrical work only by a trained electrician. Use only recommended spare parts.

For accessories to the product, see the instruction manual.

The three last digits in the document number of the manual show the version of the manual. Therefore they are replaced with * here. Make sure to use a manual with a serial number or software version that corresponds with the product, see the front page of the manual.

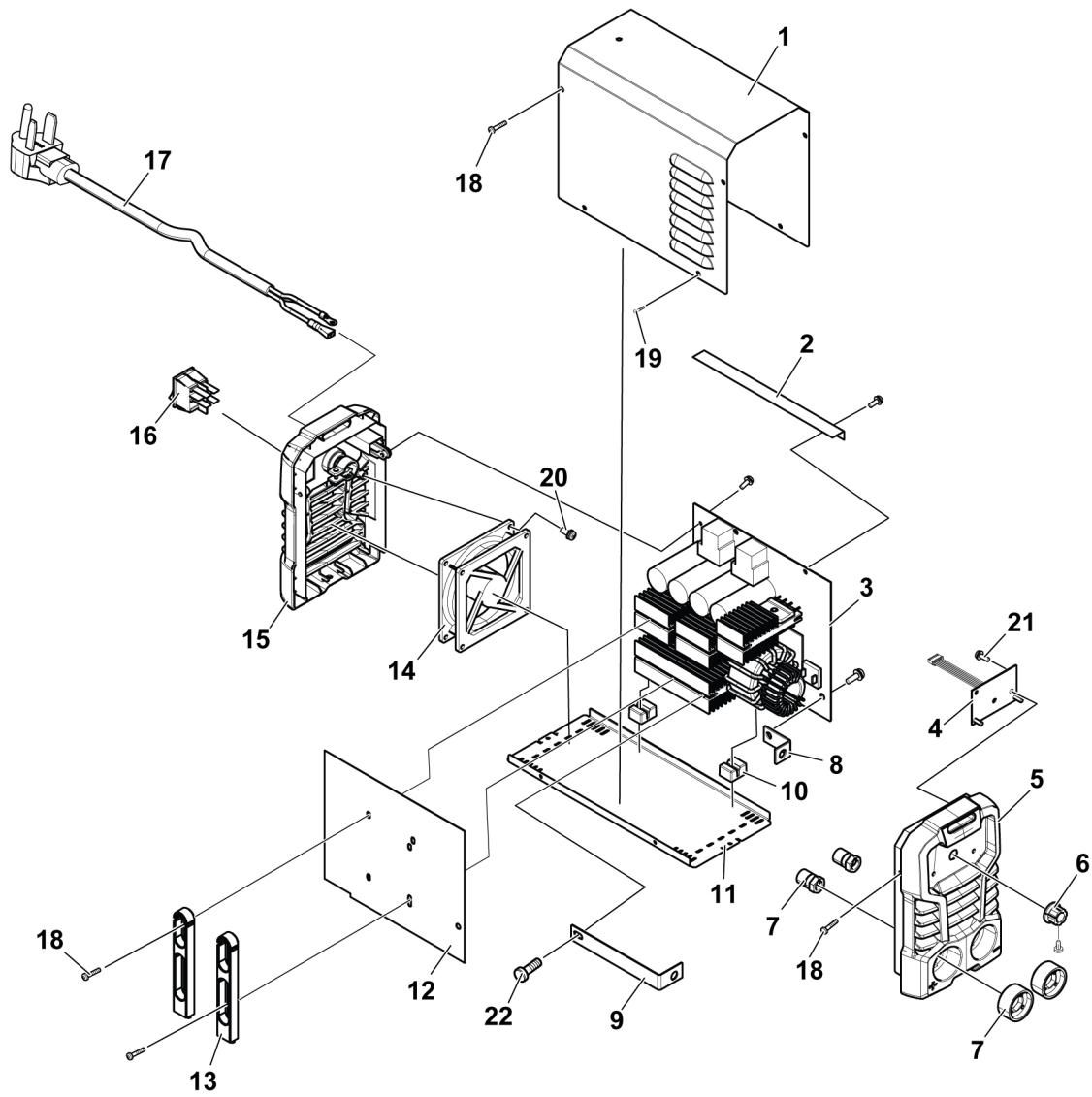
TABLE OF CONTENTS

1 SPARE PARTS 4
1.1 HandyArc 1/8 4

1 SPARE PARTS

1.1 HandyArc 1/8

C = Component designation in the circuit diagram					
Item	Qty	Ordering no.	Denomination	Notes	C
1	1	0558 103 294	Top cover		
2	1		Insulating paper		
3	1	0558 103 304	Main board		15AP1
4	1	0558 103 296	Front panel board		1AP1
5	1	0558 103 295	Front panel, plastic		
6	1	0558 103 297	Control knob		
7	1	0558 103 298	OKC connector kit	Includes bakelite fixing seat	
8	1		Negative bus bar		
9	1		Positive bus bar		
10	2		PCB mounting bracket		
11	1		Bottom plate		
12	1		Partition board		
13	2		Bracing strip		
14	1	0558 103 301	Fan		15EV1
15	1	0558 103 300	Rear panel, plastic		
16	1	0558 103 302	Power switch		
17	1	0558 103 303	Mains cable		
18	11		Screw	4 × 9	
19	4		Screw	4 × 8	
20	2		Screw	3 × 9	
21	2		Screw	3 × 8	
22	2		Screw	8 × 11	





A WORLD OF PRODUCTS AND SOLUTIONS.



For contact information visit esab.com

ESAB Corporation, 2800 Airport Road Denton, TX 76207, USA, Phone +1 800 378 8123

manuals.esab.com

